

Electrical and Acoustical Parameter

Rated Voltage (VDC)	12.0
Operating Voltage (VDC)	7.0 – 15.0
Rated Current (mA/max.) *	30
Sound Pressure Level (dBA/10cm/min.) *	90
Resonance Frequency (Hz/±150)	2200

Remark:

*Applying rated voltage

Mechanical, Environmental Parameter

Contact / Wire	Pin
Operating Temperature (°C)	-20 to +70
Storage Temperature (°C)	-30 to +85
Material Housing	PPO
Color Housing	Black
Component Weight (g)	3.0

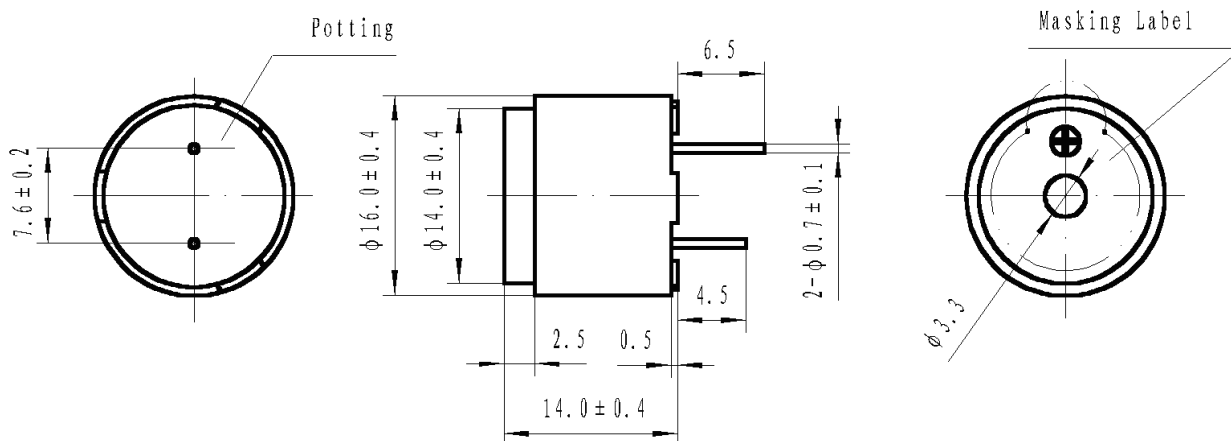
Remark:

Approval

RoHs	<input checked="" type="checkbox"/>
UL	<input type="checkbox"/>

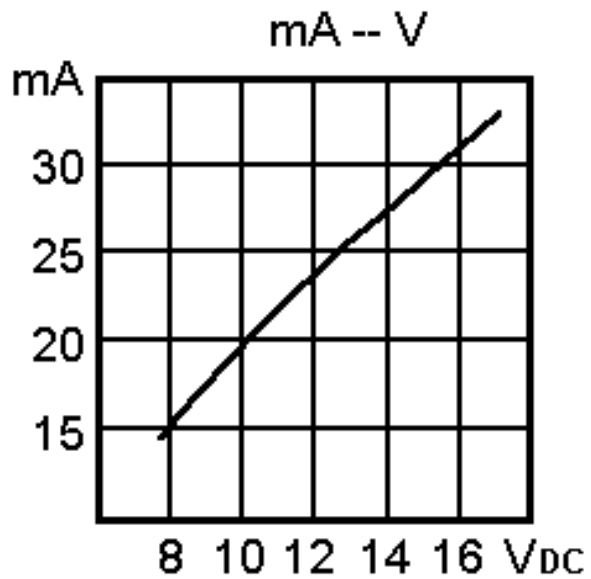
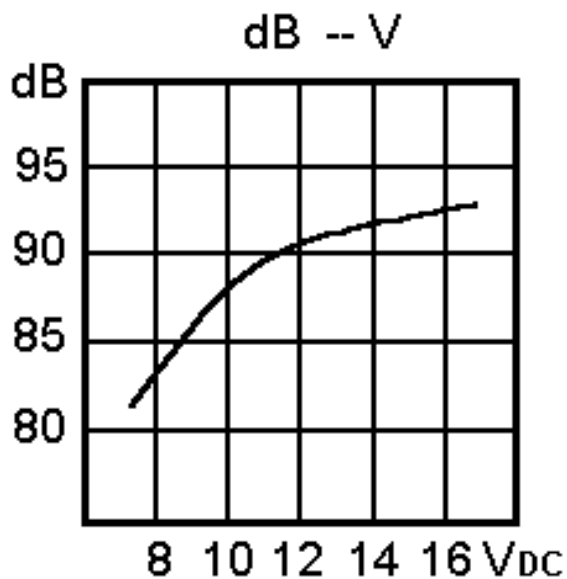
Drawing of Component

Unit:mm

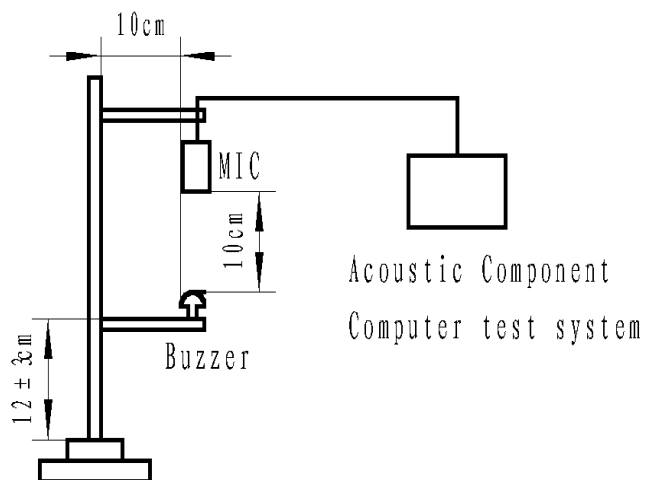
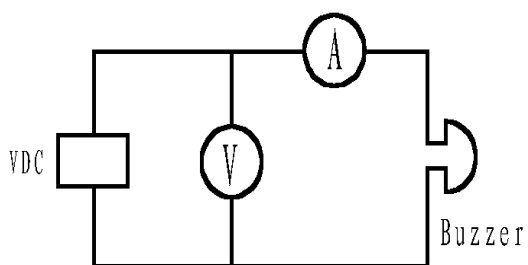


Designed by	MZ	24.05.2012	Dimensions without tolerance ± 0.5 mm	Index: oo	Current date
Released by	CB	24.05.2012	Drawing number	120524.1BDB	24.05.2012
Changed by					Page 1 of 4

Input Voltage VS. Sound Pressure Level & Current Consumption



Test Method



Designed by	MZ	24.05.2012	Dimensions without tolerance ±0.5mm	Index: 00	Current date
Released by	CB	24.05.2012	Drawing number	120524.1BDB	24.05.2012
Changed by					Page 2 of 4

Reliability test

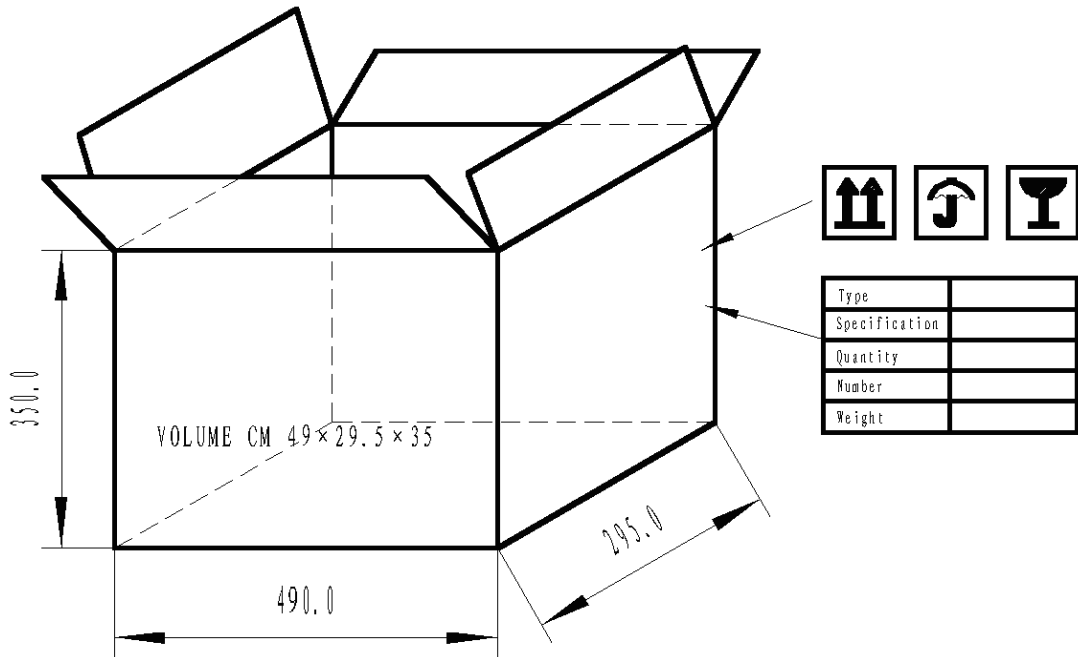
NO.	ITEM	TESTING CONDITION	VARIANCE AFTER TEST
1	Humidity	40±5°C, 93(+2/-3)%RH, 96HRS	Sound pressure level initial value±10dB Max. current value±10%mA Oscillating frequency value±300Hz.
2	High temp.	+75±2°C, 96HRS	
3	Low temp.	-30±2°C, 96HRS	
4	Temperature Cycling	-30±2°C, 30minutes room temp. 15 minutes +75±2°C, 30 minutes room temp. 15 minutes 5 cycles	
5	Drop test	3 times from height of 70cm onto the surface of 10mm thick wooden board.	
6	Vibration test	Make the test for the directions of X Y and Z (total 0.5 hours). To-and-fro. sweep time (from 10 to 55 Hz and then from 55 to 10Hz) under single amplitude of 1.0mm is 1 minute.	
7	Solder heat resistance	The part leads (pins) shall be immersed in molten solder maintained at 250±10°C for a period of 30 seconds.	

Recommended Temp. Profile for Reflow Oven (Fig.1)

n.a.

Designed by	MZ	24.05.2012	Dimensions without tolerance ±0.5mm	Index: 00	Current date
Released by	CB	24.05.2012	Drawing number	120524.1BDB	24.05.2012
Changed by					Page 3 of 4

Packaging Information



NOTES:

1. 50 PCS per box
2. Total 40 boxes per carton
3. Total 2000 PCS carton
4. Volume: 49 × 29.5 × 35cm

Revision Table

Index Nr.	Date Reason - Procedure Change description	Drawing Date	implementation	Comments
			LS-Nr.: Date	